



The **IK FOAM Pro 12 professional sprayer** has been manufactured for the generation of dry, dense and durable foam. Designed to be used with chemical agents with surfactant properties for applications in professional cleaning, sanitation and disinfection, HVAC system cleaning, vehicle washing and detailing, as well as for the disinfection of food processing areas and industrial kitchens.

With the use of the foam we manage to increase the time of contact between the chemical and the surface to clean, cleaning of fabrics and upholstery avoiding the excessive soaking that generates the appearance of fungi and bacteria, and finally to have a greater visual control of the pulverized surface.

The sprayer is equipped with three mixers (orange, grey and green) which allow to vary the type of foam by choosing between wet, intermediate or dry foam.

To facilitate the pressurization of the device, **the sprayer is equipped with a connector for compressed air.**



TYPE OF FOAM

### Technical information

| Technical information | FOAM Pro 12   |
|-----------------------|---|
| VALVE                 | 4 bar - 58 psi setting with automatic pressure release option |
| HOSE                  | 1.3 m - 51 inches   |
| STANDARD NOZZLES      | Special nozzle with fan-type foam                             |
| LANCE                 | 47 cm - 18.5 inches fibreglass                                |
| USEFUL CAPACITY       | 6 L - 1.58 US gal   |
| TOTAL CAPACITY        | 10 L - 2.64 US gal  |
| GROSS WEIGHT          | 2.99 kg - 6.59 lb   |
| NET WEIGHT            | 2.57 kg - 5.66 lb   |

### 3 TYPES OF FOAM



DRY FOAM



INTERMEDIATE FOAM



WET FOAM

### Logistics data

| Logistics data           | FOAM Pro 12       |
|--------------------------|-------------------|
| CODE                     | 8.26.76           |
| EAN                      | 84.14685.10212.6  |
| CONDITIONING             | 1 unit            |
| UNITS PER PALLET         | 28 units          |
| DIMENSIONS PER PALLET EU | 1200 x 800 x 1050 |



### Sectors in which to use

- Cleaning and disinfection
- Automotive and detailing

### Products with which to use

**óptimo** Foaming agents

### Functional information



Stainless steel handle



Pressure release valve



Security lock



Possibility of making 3 types of foam



Compressed air socket



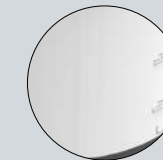
System for inflator clamping during filling



Lance parking



Content indicator



Translucent tank with level indicator



Stable base with footrest



## ACCESSORIES Personalize your sprayer adapting it to your application needs (height, hard-to-reach areas...)



**FLEX PIPE 0.5 M - 19.68 INCH**  
Reference 8.38.77.813

A flexible pipe of 0.5 m - 19.68 inch for applications in places that are hard to reach. Do not use it with acid or corrosive products.



**FLEX PIPE 0.25 M - 9.84 INCH**  
Reference 8.38.77.810

A flexible pipe of 0.25 m - 9.84 inch for applications in places that are hard to reach. Do not use it with acid or corrosive products.



**3.2 M - 10.5 FEET  
TELESCOPIC LANCE**  
Reference 8.35.40.913

A fibreglass lances of 3.2 m - 10.5 feet and 5.4 m - 17.7 feet for high spraying. Adaptable to sprayers and compression sprayers (5 L to 20 L - 1.32 gallons to 5.28 gallons). Do not use with acids or solvents.



**5.4 M - 17.7 FEET  
TELESCOPIC LANCE**  
Reference 8.35.40.915



**EXTENSION 0.5 M - 19.68 INCH**  
Reference 8.34.60.943

A fibreglass extension of 0.5 m - 19.68 inch for horizontal and vertical applications in places that are hard to reach. Light, manageable and easy to assemble.



**6-METER HOSE - 19.68 FEET**  
Reference 8.26.71.836

The 6 metre - 19.68 feet reinforced 12 mm - 0.47 inch (diameter) hose is the perfect and easy to assemble complement for your IK sprayers. Thanks to it, you will be able to reach the most distant places with greater ease of movement, avoiding pinching. It is made of a material that is resistant to both acids and foaming agents, as well as to most chemicals in the professional cleaning sector.



**IDENTIFICATION CARDS  
OF IK PRO CONTENT**  
Reference 8.26.71.875

Colour cards to identify deposit content between devices of the same line. Reversible, providing two colours on a single card, with the option to write on it; reusable and easy to use. There are two type of cards available: Red/Green and Yellow/Blue.



**1.5 M - 4.92 FEET REINFORCED  
PVC HOSE**  
Reference 8.26.71.870

12 mm - 0.47 inch diameter hose. It is easy to manoeuvre and chemically resistant.



**IK HANDLE (INOX)**  
Reference 8.26.71.872

Versatile handle adaptable to your application needs.



**FIBREGLASS TUBE WITH NUTS  
47 CM - 18.5 INCH**  
Reference 8.26.71.873

Robust and versatile tube lance of 47 cm - 18.5 inch.

## MAINTENANCE KITS



Keep your sprayer always ready and get maximum performance



IK FOAM 9 / PRO 12 KIT - Reference 8.26.76.800

FELT DISC N. 1233

8.17.76.313

COMPLETE FOAM ADAPTER N. 1085

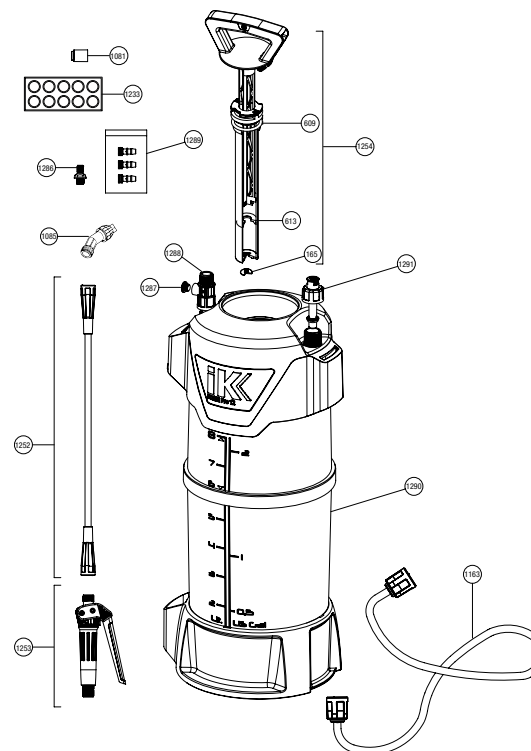
8.38.11.611



## SPARE PARTS



Extend the service life of your sprayer easily replacing parts



| N.   | COD.          | Q | SPARE PARTS NAME                |
|------|---------------|---|---------------------------------|
| 165  | 8.38.05.314.1 | 1 | VALVE                           |
| 609  | 2.23.16.930   | 1 | ROUND JOINT AN-30               |
| 613  | 8.38.11.314   | 1 | COLLAR SEAL                     |
| 1081 | 8.17.76.601   | 1 | COMPLETE FELT HOLDER            |
| 1085 | 8.38.11.611   | 1 | FAN NOZZLE                      |
| 1163 | 8.38.11.835   | 1 | HOSE                            |
| 1233 | 8.17.76.313   | 1 | FILTER (10 UNITS)               |
| 1252 | 8.26.71.828   | 1 | TUBE WITH IK PRO NUTS           |
| 1253 | 8.26.71.821   | 1 | IK PRO HANDLE                   |
| 1254 | 8.26.71.802   | 1 | IK PRO COMPLETE CHAMBER         |
| 1286 | 8.26.71.804   | 1 | IK PRO AIR CONNECTOR WITH JOINT |
| 1287 | 8.26.76.303   | 1 | 1/8 CAP WITH JOINT              |
| 1288 | 8.26.71.312   | 1 | IK PRO AIR CONNECTOR COUPLING   |
| 1289 | 8.26.76.901   | 1 | BAG MIXERS FOAM PRO 12          |
| 1290 | 8.26.76.601   | 1 | IK FOAM PRO 12 TANK             |
| 1291 | 8.26.76.806   | 1 | IK FOAM PRO 12 SAFETY VALVE     |
|      | 8.26.76.200   | 1 | INSTRUCTIONS SHEET              |
|      | 8.26.76.201   | 1 | IK FOAM PRO 12 PACKAGING        |